

CONTROL SWITCH KIEPE KMC 100

The new control switch KMC 100 is a further development of the control switches of the type FBS and SGW, which have been proven for years. It has been developed as a control switch for public transportation vehicles and is equipped with well-known mechanical interlocks.

The KMC 100 features improved robustness and simple interfaces. The KMC 100 does not require any device software and can therefore also be used in applications with a high safety level.

Brief description

The KMC 100 is secured with a lock to prevent unauthorized use. After unlocking, the desired operating mode or direction of travel can be selected via the operating mode selector switch. After selecting a direction of travel, the operating lever can be deflected: forwards for driving, backwards for braking. The deflection to the front and rear is approx. 40°. The driver recognizes the different deflections through integrated notches. An emergency brake is triggered in the rearmost position of the control lever.

The KMC 100 provides a redundant current signal of 4 – 20 mA at the output and offers four individual contacts in parallel as normally closed or normally open contacts in individual positions of the operating lever. The electrical interfaces are implemented via a standard plug.

The operating lever is available with different types of handles.

Technical data

Type	KMC 100
Operating voltage	DC 24 V +25/-30%
Output signal	4 – 20 mA
Weight	approx. 6.5 kg
Operating forces	According to DIN 5566
Protection class	IP30D when installed
Tested according to	DIN EN 50124-1 / DIN EN 61373 / DIN EN 45545

Kiepe Electric GmbH

Kiepe-Platz 1
40599 Düsseldorf
Tel: +49 211 7497-0
Fax: +49 211 7497-300
info@kiepe.knorr-bremse.com
www.kiepe.knorr-bremse.com



 **KNORR-BREMSE**

 **NEW YORK AIR BRAKE**

 **IFE**

 **MERAK**

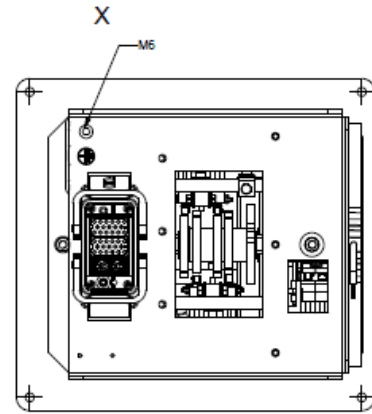
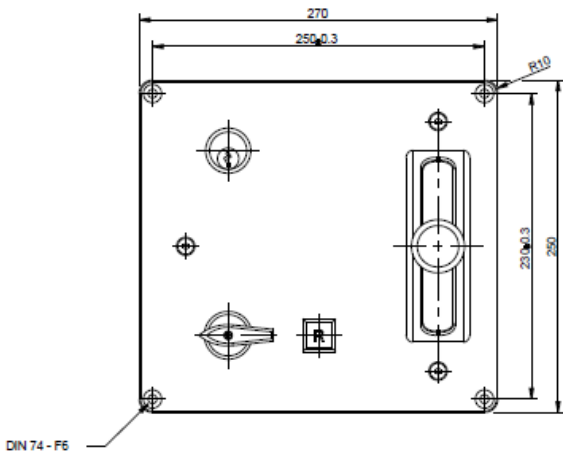
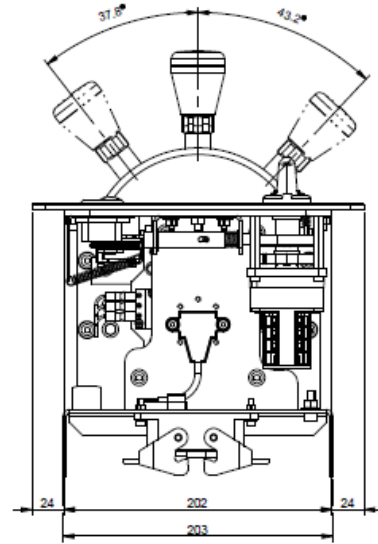
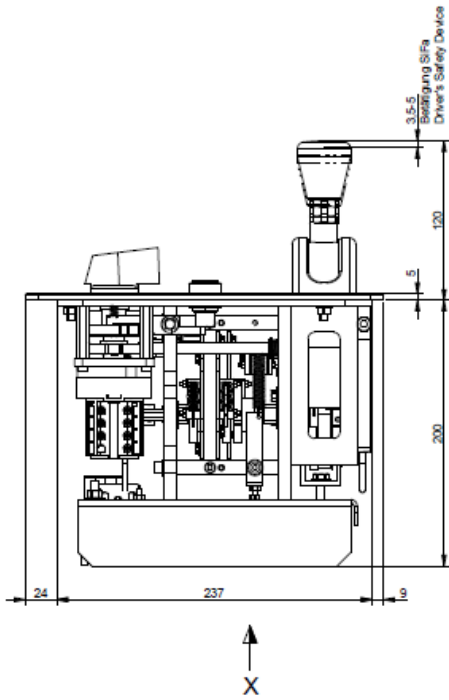
 **MICROELETTRICA**

 **KIEPE ELECTRIC**

 **SELECTRON**

 **ZELISKO**

 **RAILSERVICES**



Kiepe Electric GmbH

Kiepe-Platz 1
 40599 Düsseldorf
 Tel: +49 211 7497-0
 Fax: +49 211 7497-300
 info@kiepe.knorr-bremse.com
 www.kiepe.knorr-bremse.com



 **KNORR-BREMSE**

 **NEW YORK AIR BRAKE**

 **IFE**

 **MERAK**

 **MICROELETTRICA**

 **KIEPE ELECTRIC**

 **SELECTRON**

 **ZELISKO**

 **RAILSERVICES**