



ELECTRONIC LIGHT SENSITIVE SWITCH EDG 101

- The Electronic Light Sensitive Switch EDG 101 has been developed for heavy duty application in rail and road vehicles.
- The Electronic Light Sensitive Switch EDG 101 serves to switch-on or -off the lighting depending on the daylight.
- The housing is provided with a window allowing the light to enter onto a photodiode. It is sensitive to the intensity of light.
- A microcontroller controls the short circuit proofed output transistor.



KIEPE ELECTRIC

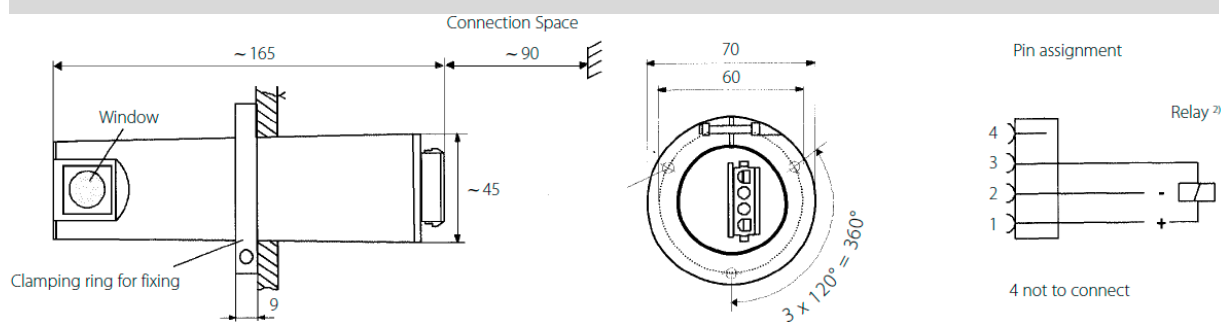
TECHNICAL DATA

Type	EDG 101
Rated control supply voltage U_e	DC 24 ... 110V + 25 / - 30 %
Power consumption	≈ 1W
Rated insulation voltage U_i	DC 110 V (VDE 0110/3)
Switching element	Transistor
Load max.	500 mA (24 V)
	300 mA (36 V)
	80 mA (72 V)
	100 mA (110 V)
Switch-on trigger, adjustable ¹⁾	$2 \text{ lx} \leq E1 \leq 20 \text{ lx}$
On-delay	$\leq 0,2 \text{ s}$
Switch-off trigger, adjustable ¹⁾	$2 \times E1 \dots 10 \times E1$
Off-delay	$15 \text{ s} \pm 5 \%$
Ambient temperature	-25 °C ... +70 °C
Housing	Polyamide GV
Protective arrangement	protective insulated
Degree of protection	IP 30
Mounting position (attention to light incidence)	optionally
Weight	~ 200 g
Connector (crimp-wiring)	AMP - Universal - Mate - N - Lok
Wire cross section, flexible	$3 \times (0,75^2) \dots 2,5^2)$
Cable outlet	Ø 1 - 4,8 mm
Tests confirming to	DIN 43321 / IEC 571
CE-sign	conferred
Standard Part – Order No.	96.052 628.001
Basic pre-setting	
Switch-on trigger	$9 \text{ lx} \pm 1,5 \text{ lx}$
Switch-off trigger	$90 \text{ lx} \pm 3 \text{ lx}$

1) To be specified when ordering 2) Not included in scope of supply

Subject to change without notice.

DIMENSIONS



Kiepe Electric GmbH

Kiepe-Platz 1
40599 Düsseldorf
Tel: +49 211 7497-0
Fax: +49 211 7497-300
info@kiepe.knorr-bremse.com
www.kiepe.knorr-bremse.com



 **KNORR-BREMSE**

 **NEW YORK AIR BRAKE**

 **IFE**

 **MERAK**

 **MICROELETTRICA**

 **KIEPE ELECTRIC**

 **SELECTRON**

 **ZELISKO**

 **RAILSERVICES**