

## EMERGENCY BRAKE SWITCH NBS 900

### Description

Emergency brake switches of type NBS 900 meet the high requirements of applicable railway specifications.

Passengers and train crew members can use emergency brake switches of type NBS 900 to trigger the emergency brake or an emergency stop.

After the activation handle is pulled and a certain pressure point has been passed the emergency braking occurs through positive opening of contacts. Simultaneously the handle is locked in the pulled position.

The unlocking can be carried out via a

socket wrench<sup>1)</sup>.

The pulled handle is reset via spring tension during the unlocking.

Emergency brake switches of type NBS 900 are constructed on an open base plate and are therefore suitable for installation behind a vehicle wall. Only the handle is visible in the passenger area. Lead sealing is possible. For this model, inscription is only possible via separate labelling<sup>1)</sup> close to the visible handle.

<sup>1)</sup> Not included in delivery



**KIEPE ELECTRIC**

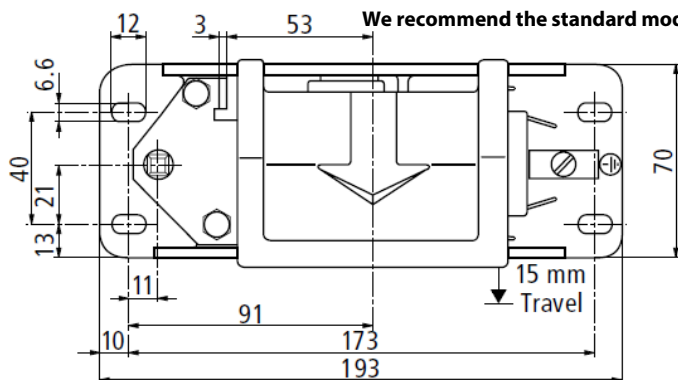
## Technical Data

<b>Type</b>	NBS 900
<b>Rated insulation voltage</b>	DC 110 V +25/-30%
<b>Ambient temperature</b>	-25° C ... +70° C
<b>Protection type</b>	IP 00
<b>Unlocking</b>	Square bolt 8 x 8 mm
<b>Contacts</b>	1 NO 1 NC
<b>Thermal current</b>	10 A
<b>Rated switching capacity (24 V / 110 V)<sup>1)2)</sup></b>	8 A / 0,4 A
<b>Connection</b>	Faston plug 6.3 mm
<b>Weight approx.</b>	0,9 kg
<b>Colour (handle)</b>	Optional <sup>1)</sup>
<b>Operating force approx.</b>	110 N (without lead sealing)
<b>Actuating height approx.</b>	15 mm

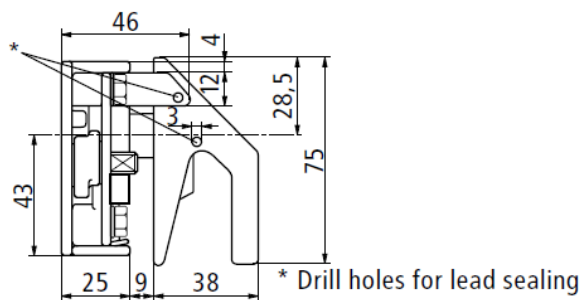
1) To be specified when ordering

2) Inductive load

## Dimensions



<b>Part no.</b>	<b>92.046 900.003</b>
Unlocking	Square bolt 8 x 8 mm
Colour (handle)	RAL 3000 (red)



### Kiepe Electric GmbH

Kiepe-Platz 1  
40599 Düsseldorf  
Tel: +49 211 7497-0  
Fax: +49 211 7497-300  
info@kiepe.knorr-bremse.com  
www.kiepe.knorr-bremse.com



 **KNORR-BREMSE**

 **NEW YORK AIR BRAKE**

 **IFE**

 **MERAK**

 **MICROELETTRICA**

 **KIEPE ELECTRIC**

 **SELECTRON**

 **ZELISKO**

 **RAILSERVICES**